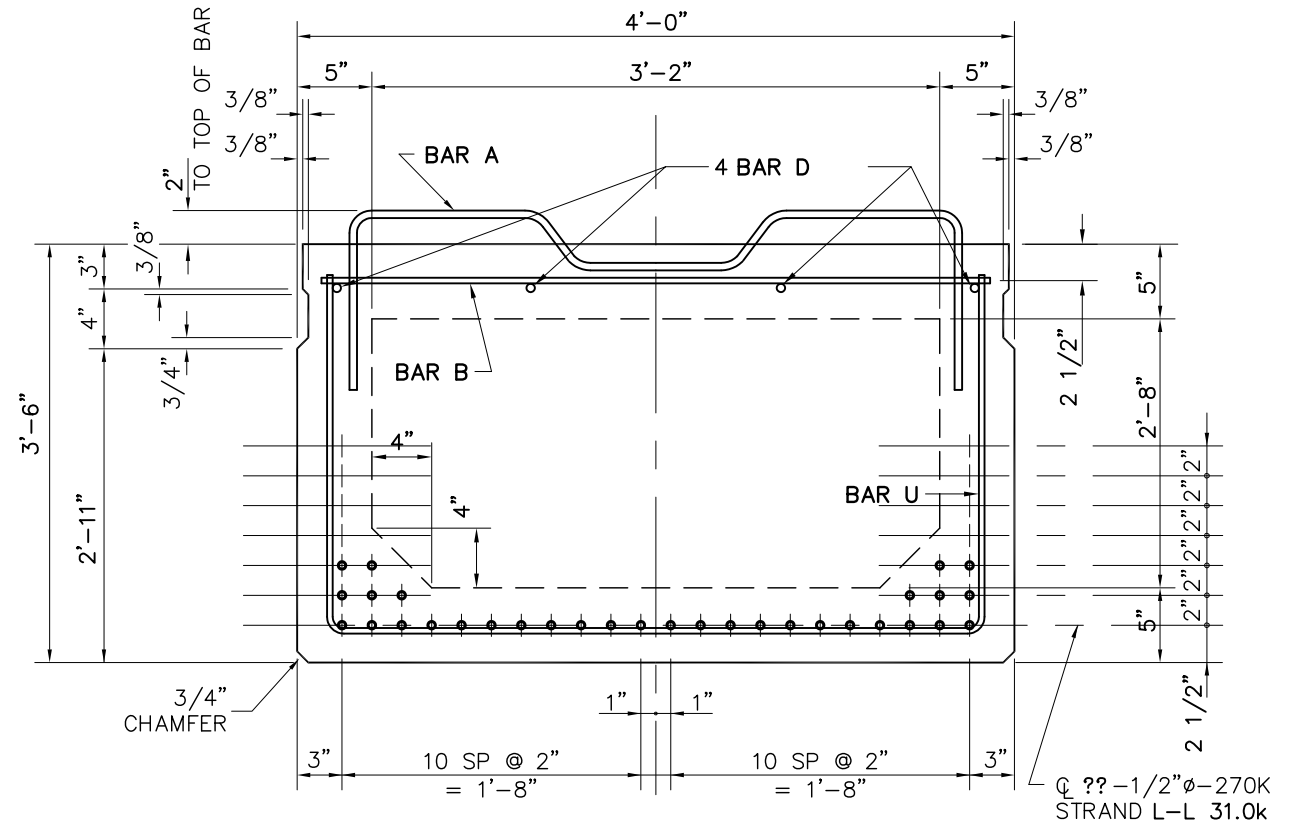
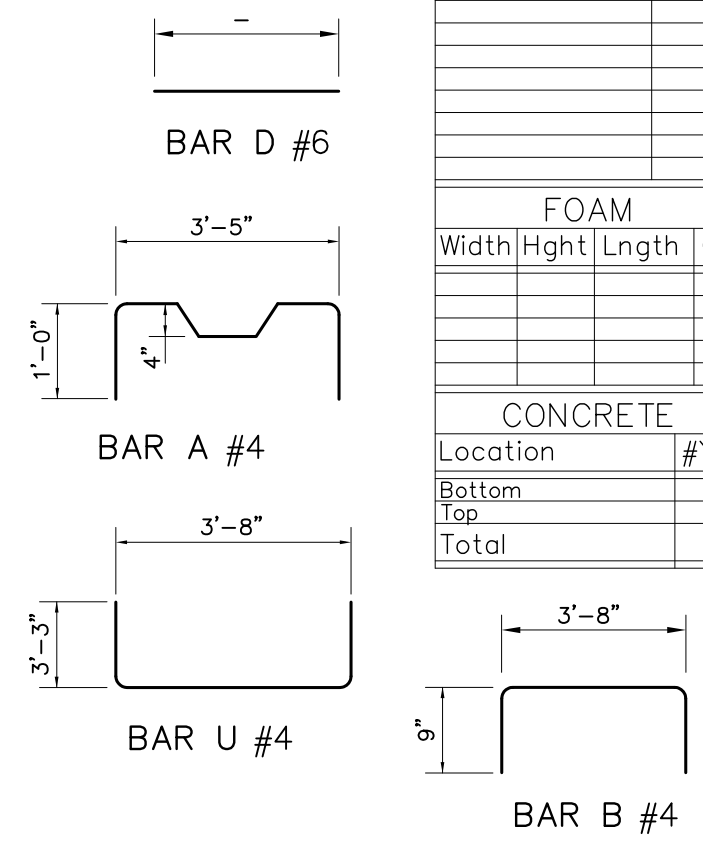


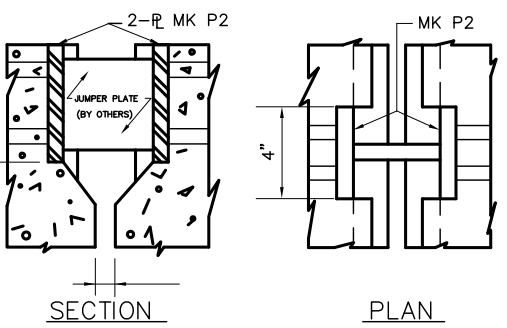
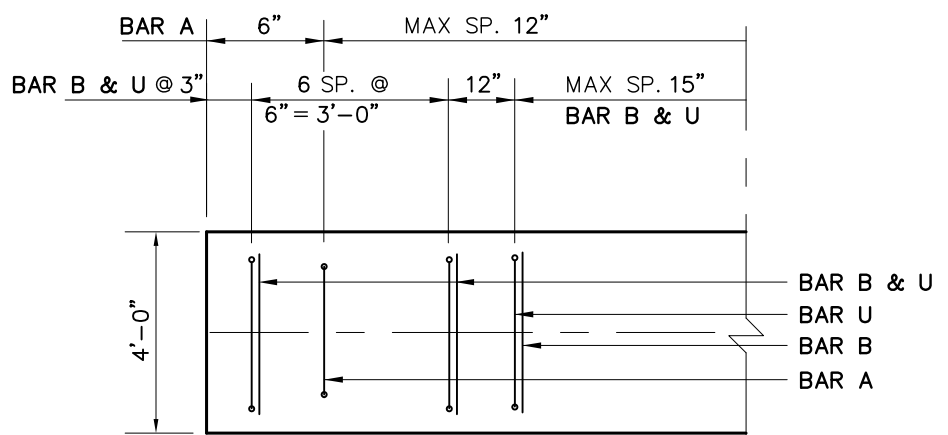
BEAM PLAN BB-1

REQ'D. - ?

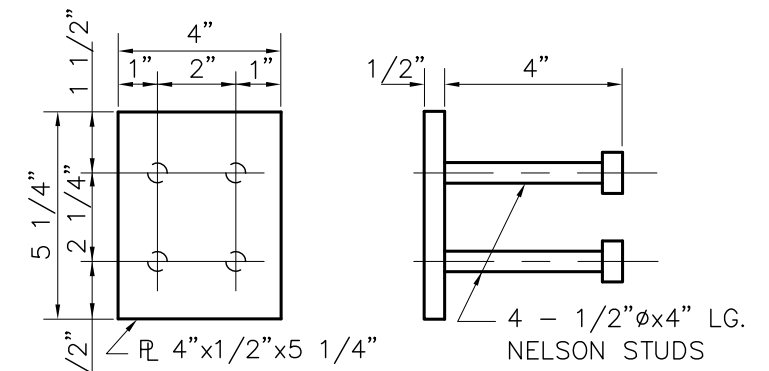
REBAR			
Mk#		Qty.	
BAR B			
BAR D			
BAR A			
BAR U			
FOAM			
Width	Hght	Lngh	Qty.
CONCRETE			
Location		#Yds.	
Bottom			
Top			
Total			



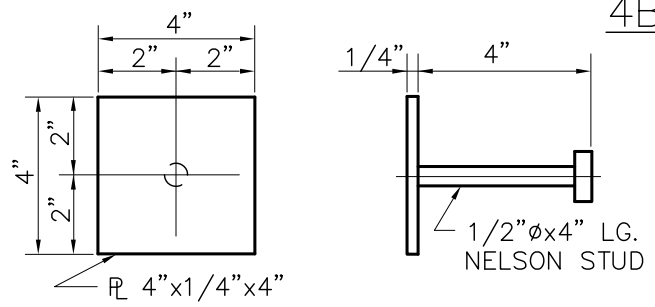
4B42 SECTION



SHEAR CONNECTION DETAIL



REQ'D. - MK P2
Typical Shearconnector Plate



REQ'D. - MK P1

CONCRETE STRENGTHS:
 RELEASE 4000psi.
 28-DAY 5000psi.
 BEAM WEIGHT 900LBS./LF APPROXIMATE

REVISIONS	
△	
△	
△	
△	
△	

PROJECT: 42" X 48" STANDARD BOX BEAM	
LOCATION:	
CONTRACTOR:	
CONTROL NUMBER: -	P.O. NUMBER: -
PROJECT NUMBER: -	-
ENGINEER:	

flexicore
 OF TEXAS
 CONCRETE SOLUTIONS SINCE 1953

P.O. BOX 450049 HOUSTON, TEXAS 77245
 PHONE: 888-359-4267 FAX: 281-437-8913

DRAWN BY:
CHECKED BY:
DATE:
FILE NAME:
JOB NUMBER:
PAGE: 1 OF 1