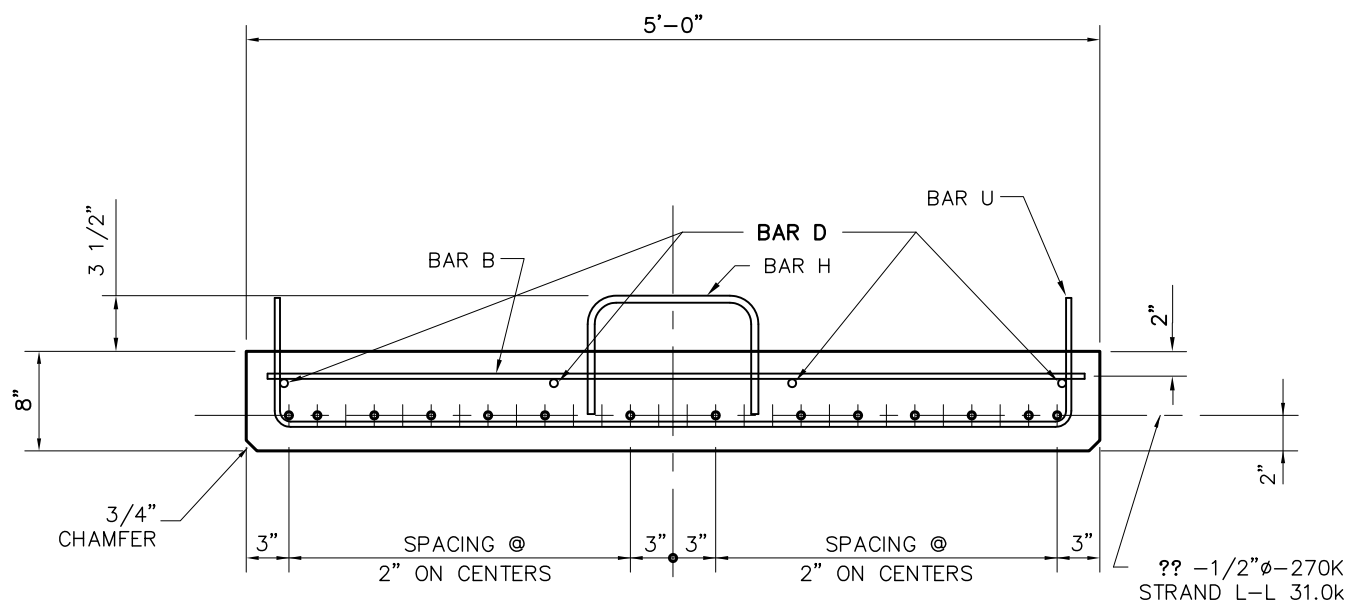
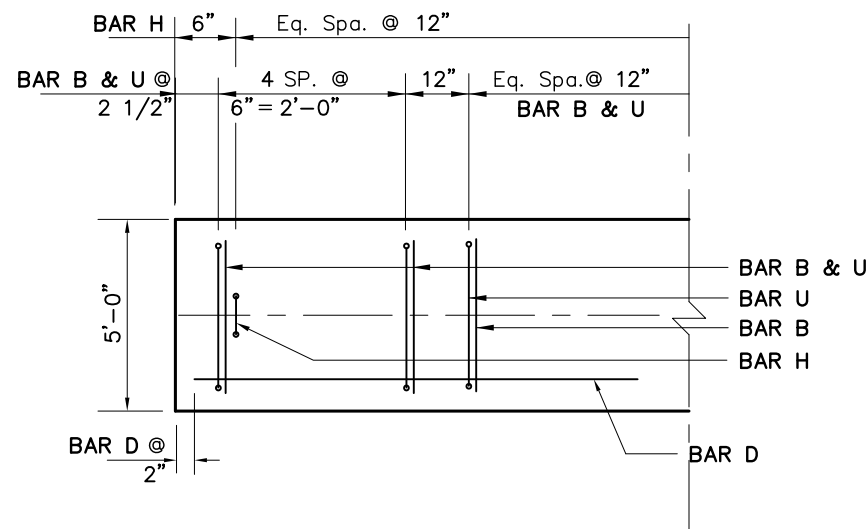


BEAM PLAN SB-1

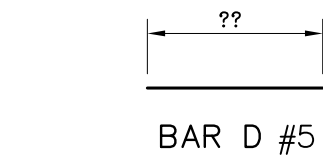
REQ'D. - ?



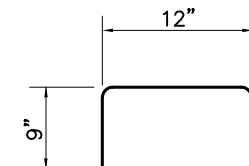
SECTION



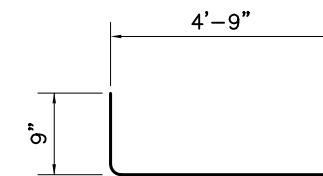
REINFORCING PLAN



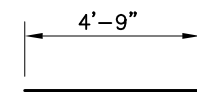
BAR D #5



BAR H #4



BAR U #4




BAR B #4

REBAR			
Mk#		Qty.	
BAR B		-	
BAR D		4	
BAR H		-	
BAR U		-	
FOAM			
Width	Hght	Lngh	Qty.
CONCRETE			
Location		#Yds.	
Bottom			
Top			
Total			?

CONCRETE STRENGTHS:

RELEASE 4000psi. Concrete Strengths may vary due to strand quantity.
 28-DAY 5500psi.
 BEAM WEIGHT 500LBS./LF APPROXIMATE

REVISIONS				PROJECT: 8" X 60" STANDARD SLAB BEAM			DRAWN BY:
△				LOCATION:			CHECKED BY:
△				CONTRACTOR:			DATE:
△				CONTROL NUMBER: -	P.O. NUMBER: -		FILE NAME:
△				PROJECT NUMBER: -			JOB NUMBER:
△				ENGINEER:		PAGE:	
P.O. BOX 450049 HOUSTON, TEXAS 77245 PHONE: 888-359-4267 FAX: 281-437-8913						1 OF 1	