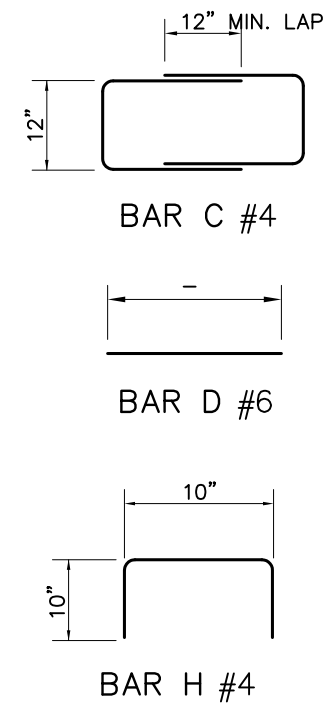
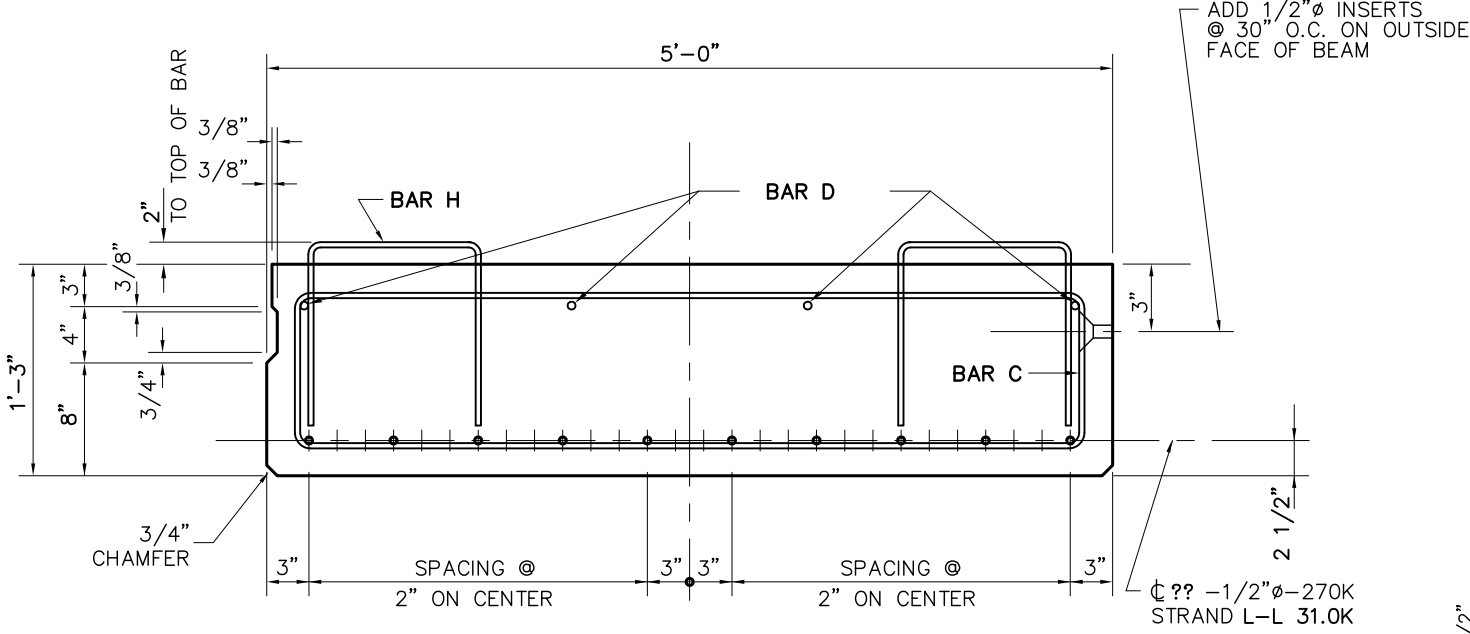


BEAM PLAN SB-1

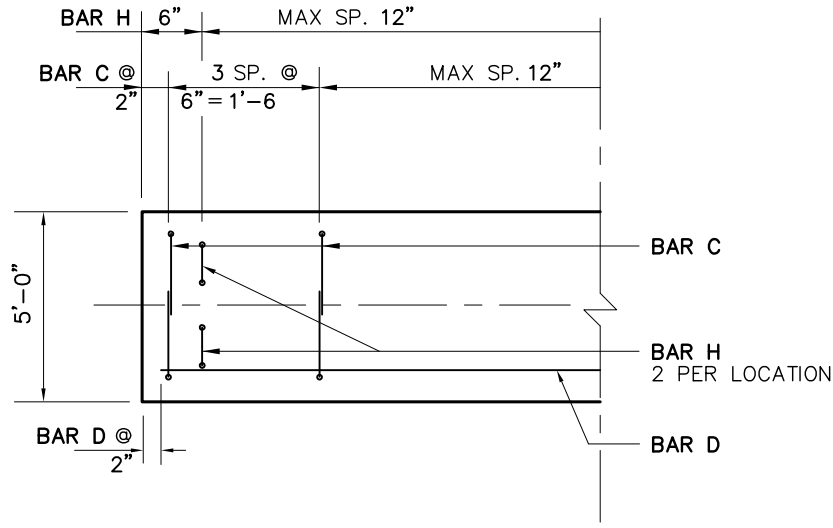
REQ'D. - ?



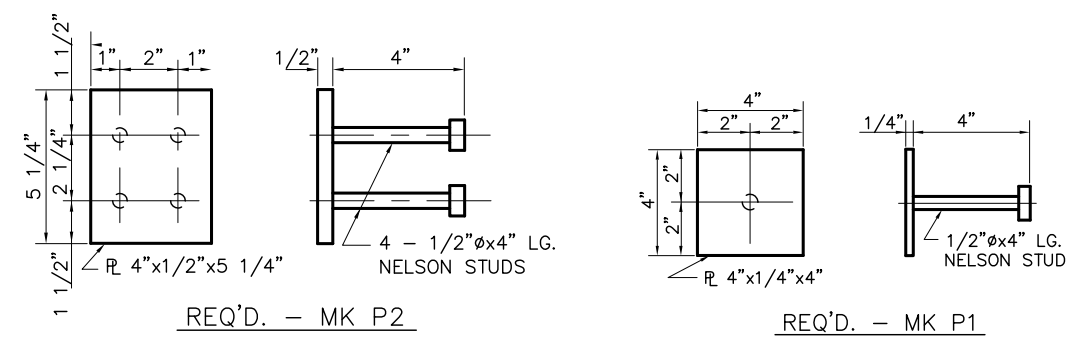
REBAR			
Mk#		Qty.	
BAR C			
BAR D			
BAR H			
FOAM			
Width	Hght	Lngh	Qty.
CONCRETE			
Location		#Yds.	
Bottom			
Top			
Total			



SECTION

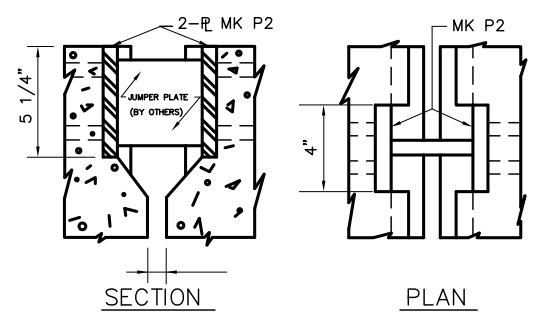


REINFORCING PLAN



TYPICAL SHEAR CONNECTOR PLATE

WELD PLATE



SHEAR CONNECTION DETAIL

CONCRETE STRENGTHS:
 RELEASE 4000psi.
 28-DAY 5000psi.
 BEAM WEIGHT 937LBS./LF APPROXIMATE

REVISIONS			
△			
△			
△			
△			
△			

PROJECT: 15" X 60" STANDARD SLAB BEAM
 LOCATION:
 CONTRACTOR:
 CONTROL NUMBER: - P.O. NUMBER:
 PROJECT NUMBER: -
 ENGINEER:

flexicore
 OF TEXAS
 CONCRETE SOLUTIONS SINCE 1953

P.O. BOX 450049 HOUSTON, TEXAS 77245
 PHONE: 888-359-4267 FAX: 281-437-8913

DRAWN BY:
 CHECKED BY:
 DATE:
 FILE NAME:
 JOB NUMBER:
 PAGE: 1 OF 1